

# Gate valve

Type **01002**

**Bronze Gate valve, PN16,  
Threaded ends UNI ISO 228-1 :2003, ANSI B1.20.1 NPT**

**01002.21** XY

Bronze body, screwed top work in brass with maintenance gland packing and non rising stem.



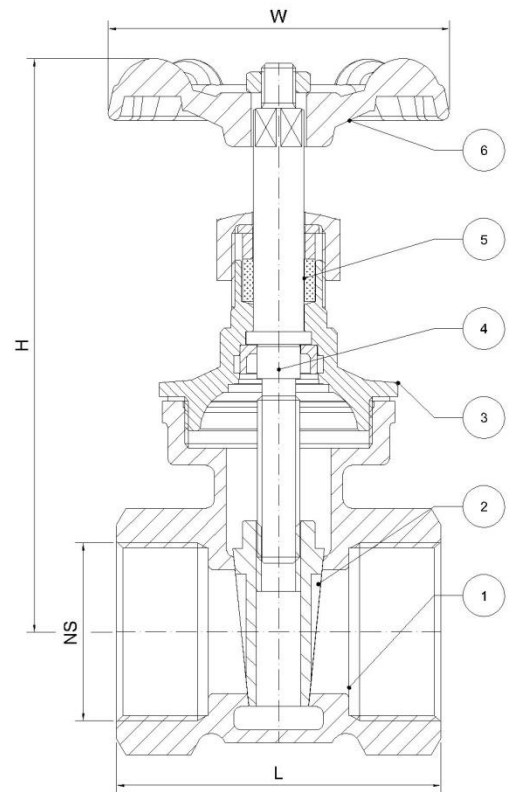
**Available options:**

Pos	Code	Description
X	1	Gas thread
X	2	NPT thread
YY	-	Please see chart below

**Application** Suitable for non-toxic and non- inflammable fluids, gasses and vapors. The laws, regulations and standards are to observe for the range of application.

**Working temperatures and pressure**  
 From 1/2" to 4" up to max. 16.0 bar: 0°C to +80°C  
 From 5" to 6" up to max. 10.0 bar: 0°C to +80°C

**IMPORTANT:** When requesting an offer or order, please indicate flow medium, working pressure and working temperature.  
 Standard marking acc.to Pressure Equipment Directive 2014/68/EU (PED).  
 Pressure test acc.to EN 12266:2004 – leak allowed.



Description	Materials			
1 Body	For all sizes	Bronze	CC491K	
2 Wedge	From 1/2" to 4"	Brass	CW614N	
	From 5" to 6"	Brass	CB7535	
3 Bonnet	From 1/2" to 4"	Brass	CW614N	
	From 5" to 6"	Brass	CW617N	
4 Stem	For all sizes	Brass	CW614N	
5 Packing	From 1/2" to 4"	Graphite packing	AF15/MA	
	From 5" to 6"	O-ring	NBR	
6 Hand wheel	For all sizes	Steel		

Description	Dimensions [mm]												
	NS	1/2"	3/4"	1"	1"1/4"	1"1/2"	2"	2"1/2"	3"	4"	5"	6"	
Nominal size	YY	04	05	06	07	08	09	10	11	12	13	14	
Size code	H	74	79	91	110	126	143	178	206	245	300	360	
Height	W	55	55	60	70	80	90	110	120	140	140	170	
Hand wheel-Ø	L	38	44	47	53	58	64	76	82	96	112	114	

