

Gate valve

Type **01012**

**Bronze Gate valve, PN25,
Threaded ends UNI ISO 228-1 :2003, ANSI B1.20.1 NPT**

01012.21 XY

Bronze body, screwed top work in brass with maintenance gland packing and non rising stem.



Available options:

Pos	Code	Description
X	1	Gas thread
X	2	Gas thread
YY	-	Please see chart below

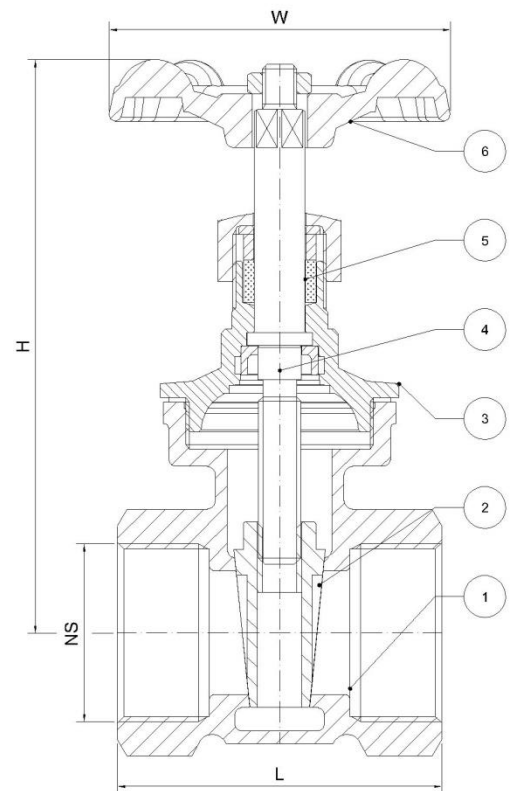
Application Suitable for non-toxic and non- inflammable fluids, gasses and vapors. The laws, regulations and standards are to observe for the range of application.

Working temperatures and pressure Up to max. 16.0 bar: 0°C to +95°C

IMPORTANT: When requesting an offer or order, please indicate flow medium, working pressure and working temperature.

Standard marking acc.to Pressure Equipment Directive 2014/68/EU (PED).

Pressure test acc.to EN 12266:2004 - leakage allowed.



Description	Materials		
1 Body	Bronze	CC491K	
2 Wedge	Brass	CW614N	
3 Bonnet	Brass	CW614N	
4 Stem	Brass	CW614N	
5 Packing	Graphite packing	AF15/MA	
6 Hand wheel	Steel		

Description	Dimensions [mm]												
Nominal size	NS	1/4"	3/8"	1/2"	3/4"	1"	1"1/4	1"1/2	2"	2"1/2	3"	4"	
Size code	YY	02	03	04	05	06	07	08	09	10	11	12	
Height	H	67	67	80	90	104	122	131	158	199	219	260	
Hand wheel-Ø	W	50	50	55	55	60	70	80	90	110	120	140	
Face-to-face dimension	L	40	40	44	51	56	61	70	79	88	97	111	

