

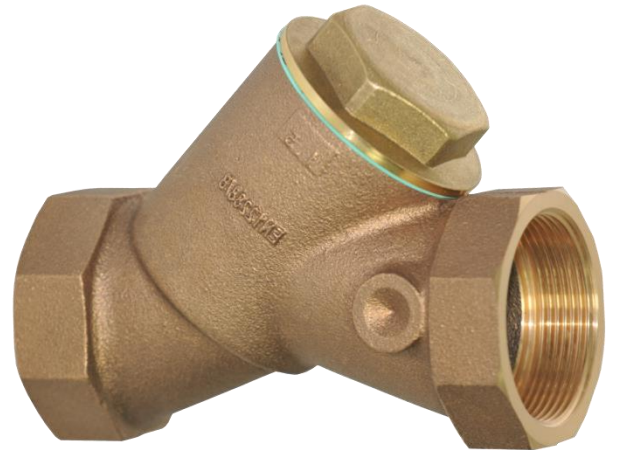
Bronze Strainer

Type **01502**

Bronze Strainer Double Screen, PN16,
Threaded ends UNI ISO 228-1 :2003,ANSI B1.20.1 NPT

01502.2A XY
 Screen 0.25 mm

01502.2B XY
 Screen 0.6 mm



Available options:

Pos	Code	Description
X	1	Gas thread
X	2	NPT thread
YY	-	Please see chart below

Application

Suitable for non-toxic and non- inflammable fluids, gasses and vapors. The laws, regulations and standards are to observe for the range of application.

Working temperatures and pressure

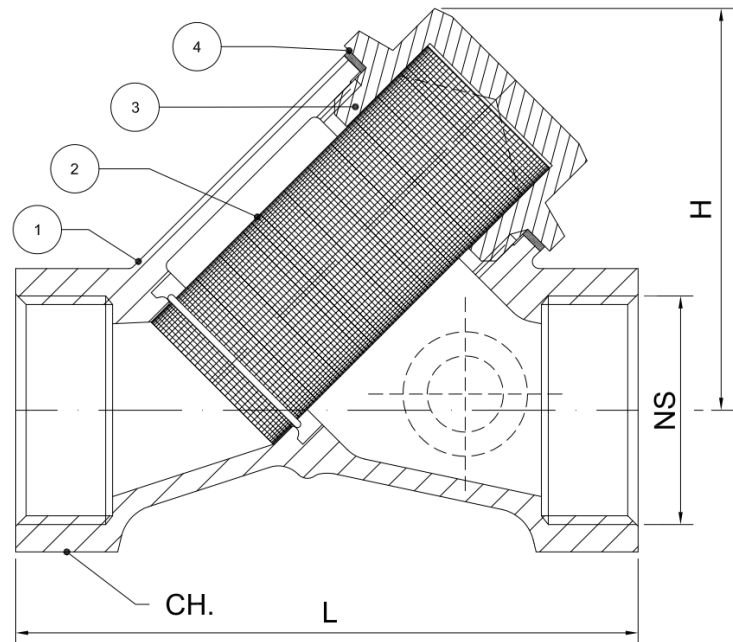
Up to max. 16.0 bar: -10°C to +120°C
 Up to max. 10.0 bar: -10°C to +160°C
 Up to max. 6.0 bar: -10°C to +220°C

IMPORTANT:

When requesting an offer or order, please indicate flow medium, working pressure and working temperature.

Standard marking acc.to Pressure Equipment Directive 2014/68/EU (PED).

Pressure test acc.to EN 12266:2004.



Description	Materials	
1 Body	Bronze	CC491K
2 Screen	Stainless steel	AISI 316
3 Plug	Brass	CW614N
4 Gasket	Silc	4400

Description	Dimensions [mm]									
	NS	1/4"	3/8"	1/2"	3/4"	1"	1"1/4	1"1/2	2"	
Nominal size	YY	02	03	04	05	06	07	08	09	
Size code	H	37	37	40	46	58	69	73	89	
Height	L	52	52	65	75	90	110	120	150	
Face-to-face dimension	CH	CH22	CH22	CH27	CH32	CH41	CH50	CH55	CH70	
Wrench size across flat										