

# Flanged Gate valve bolted bonnet

Type **11211**

**Bronze Flanged Gate valve bolted bonnet with Bronze hand wheel, PN16**  
**Flange connection according to UNI EN 1092-3:2005 or ASA 150**

**11211.210** YY.Z

Bronze body and top work with maintenance-free gland packing and non rising stem.

### Available options:

Pos	Code	Description
YY	-	Please see chart below
Z	-	Flange customization at request
Z	.40301	Indicator



### Application

Suitable for transformers oil.

### Working temperatures and pressure

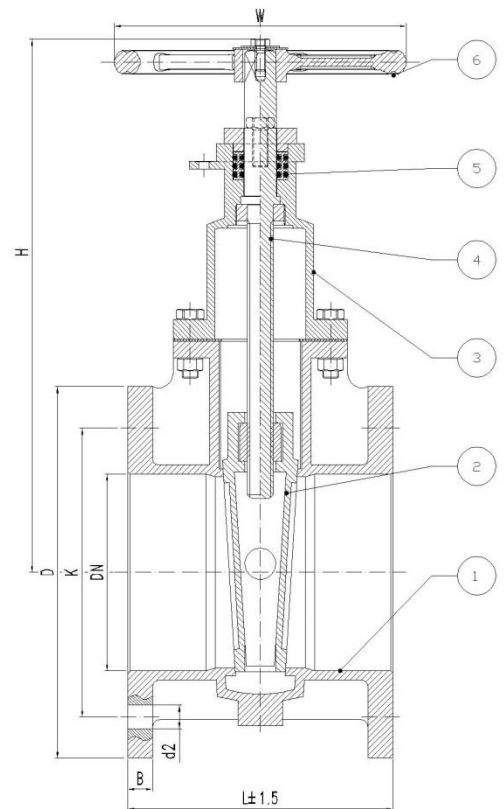
Up to max. 16.0 bar: -25°C to +180°C (Viton O-Rings)  
 Up to max. 16.0 bar: -40°C to +180°C (PTFE Packing)  
 Up to max. 16.0 bar: -50°C to +180°C (FluorSilicone O-rings)

### IMPORTANT:

When requesting an offer or order, please indicate flow medium, working pressure and working temperature.

Standard marking acc.to Pressure Equipment Directive 2014/68/EU (PED).

Pressure test acc.to EN 12266:2004 – Rate “A”.



Description	Materials
1 Body	Bronze CC491K
2 Wedge	Bronze CC491K
3 Bonnet	Bronze CC491K
4 Stem	Brass CW614N
5 Packing	O-Ring Viton
6 Hand wheel	Bronze CC491K

Description	Dimensions [mm]
Nominal size	DN 65 80 100 125 150
Size code	YY 58 59 60 61 62
Hand wheel-Ø	W 150 175 175 200 225
Face-to-face dimension	L 170 180 184 202 204
Width to flange*	B 14 15 20 22 22
Height	H 280 297 - 391 427
Flange diameter*	D 185 200 220 250 285
Distance between holes*	K 145 160 180 210 240
N° and holes diameter*	n x d <sub>2</sub> 4 x 18 8 x 18 8 x 18 8 x 18 8 x 22

\* Dimensions related to Flange PN16 according to UNI EN 1092-3:2005